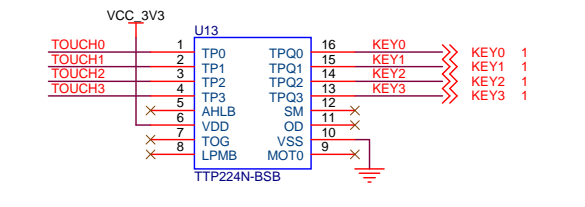
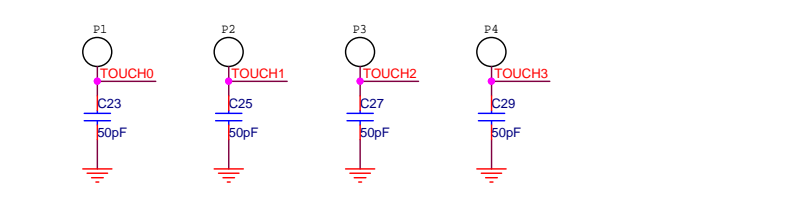
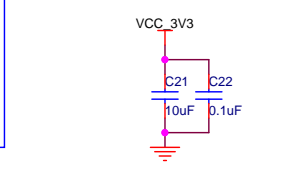
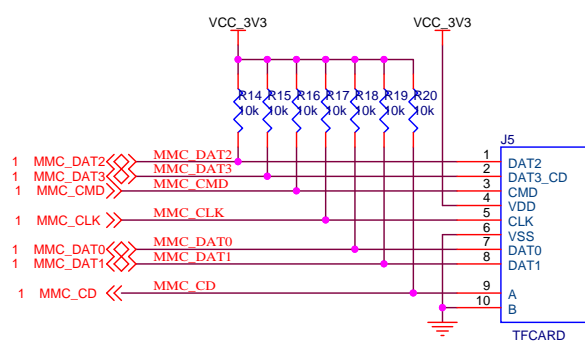
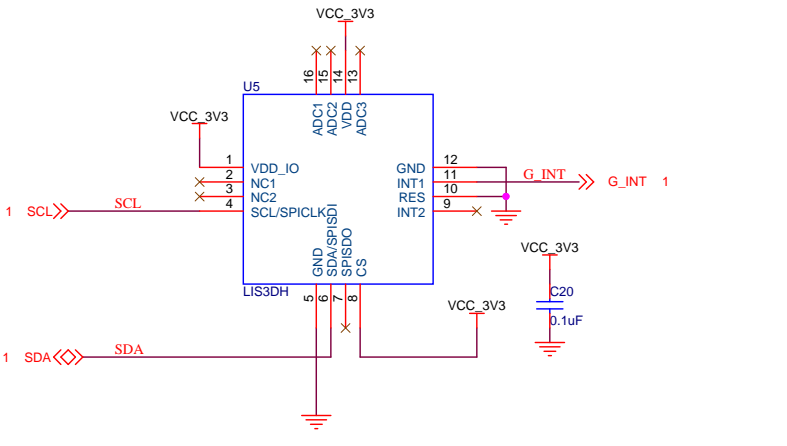
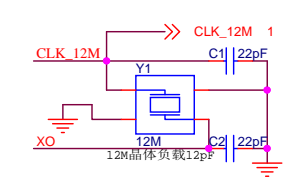
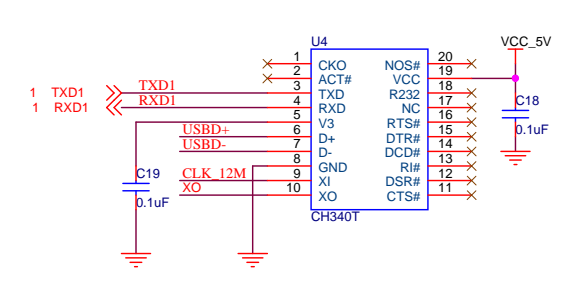
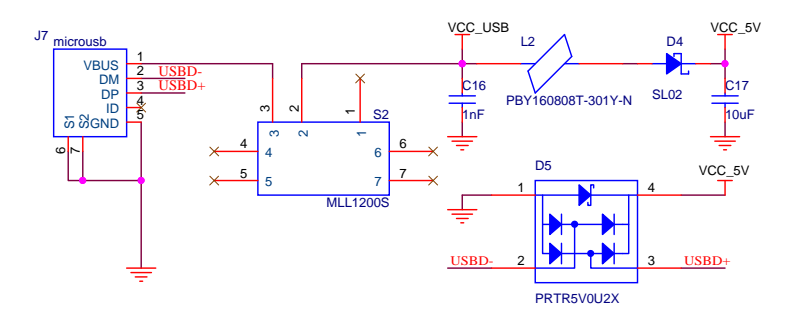
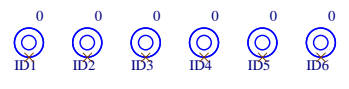
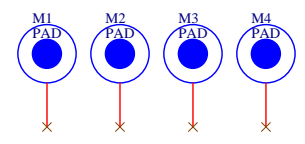
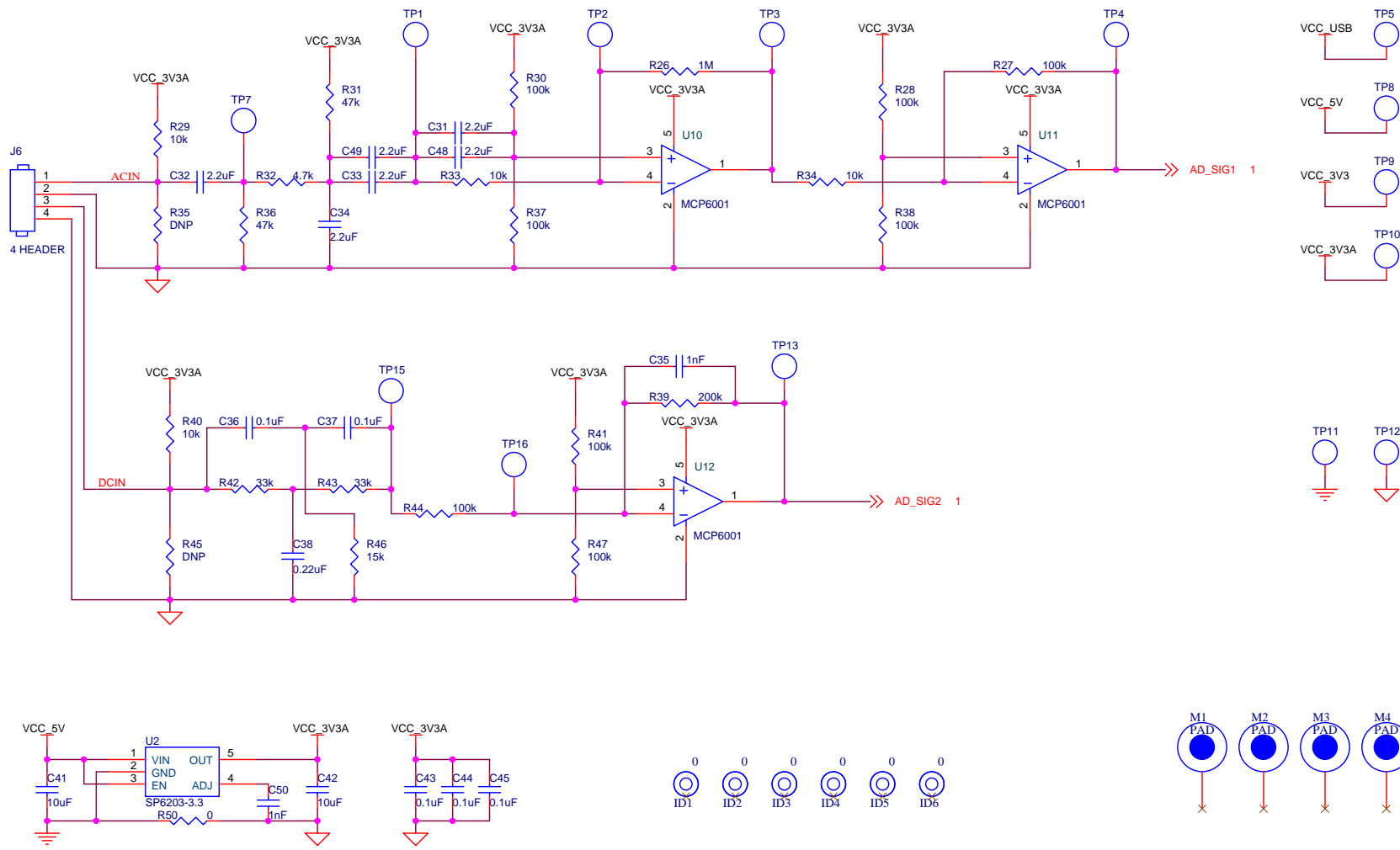


Title		
ufun		
Size	Document Number	Rev
B	<Doc>	VER.A
Date:	Thursday, June 25, 2015	Sheet 1 of 3



Title		
ufun		
Size	Document Number	Rev
B	<Doc>	VER.A
Date:	Wednesday, June 24, 2015	Sheet 2 of 3



Title		
ufun		
Size	Document Number	Rev
B	<Doc>	VER.A
Date:	Monday, June 29, 2015	Sheet 3 of 3